

## Manual

Note: When the compressor is shut off, it needs 3 minutes to restart. When connect the PG motor's signal line, Please note the plus and minus pole. Watch for the temperature of PCB 7805, if the temperature is too high, please shut off the power and check the connection is right or not.

Mode selection key: Select working mode. When in auto mode, the system will work like heat mode if the room temperature is below 21°C, or work like cool mode if room temperature is up than 27°C.

Fan selection key: Select fan speed. The fan speed will be low when in dry mode, or in heat mode but the compressor is shut off, or in heat mode but the compressor working time less than 3 minutes. In auto fan mode, the fan speed will be high if the difference of setting and room temperature big than 4°C, will be low if the difference less than 2°C.

Temperature setting keys: Be able to set from 16°C-30°C. It will not response in auto mode or dry mode.

Timer selection key: Select timer on, timer off or no timer.

Timer time setting keys: Set 1-16 hours.

Swing key: Select swing on or off.

Sleep key: Will shut off in 8 hours.

Too cool/Too warm keys: Only effective in auto mode. Be able to adjust the setting temperature 1°C up/down from 25°C when depressing once the key.

ON/OFF key: Control on or off.

## Display manual

1. Run light (red): Light is on when runs.
2. The light (yellow): Once set timer inline/offline or sleep, this light is on. Cancel it or reach the time, this light is out.
3. Comp light (green): This light is on, When compressor works.
4. IR: Receive the signal of infrared.
5. AUTO: When there is not remote, it can control on or off.

## Fault examination:

| Fault                          | Indicator light                      |
|--------------------------------|--------------------------------------|
| Room temperature sensor        | Run (red) light flashes.             |
| Indoor pipe temperature sensor | Time (yellow) light flashes          |
| PG_Motor                       | red and yellow light flash together. |

# UNIVERSAL A/C CONTROL SYSTEM PG MOTOR

UNIVERSAL A/C CONTROL SYSTEM PG MOTOR

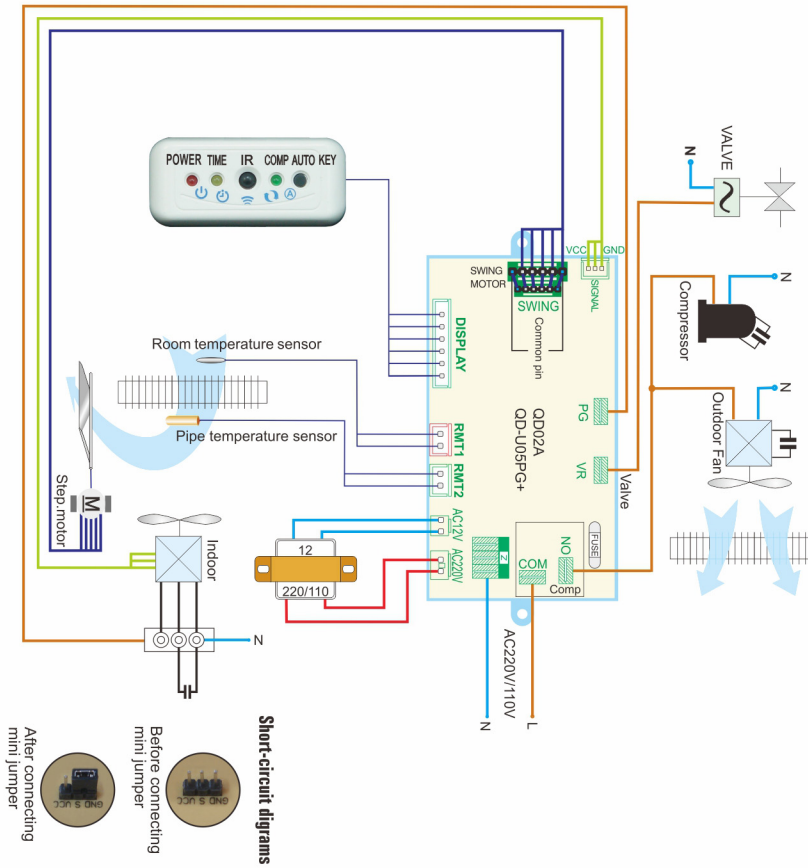
QD-U05PG+

1. Avoid strong light before IR receiver
2. The common pins of swing socket are 12V output. The common pin of step motor should be inserted into one of the common pins of swing socket. If the direction of step motor is wrong, insert the common pin of step motor to other common pin of swing socket.

### PG motor feedback instruction

If this PG motor of Air-conditioner has not Hall effect, or Hall effect is broken, please let a short circuit between GND and signal pole.

⚠ This product does not apply to the inverter A/C



QD-U05PG+

UNIVERSAL A/C CONTROL SYSTEM PG MOTOR



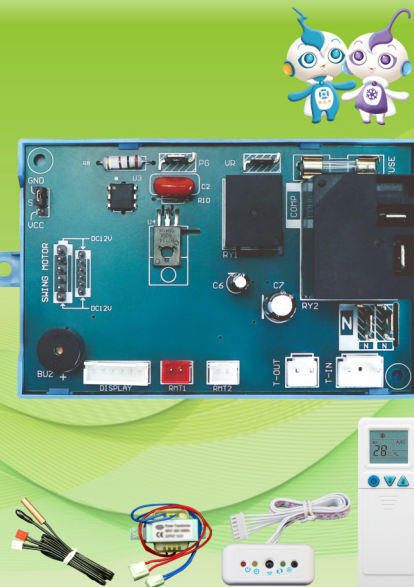
MADE IN CHINA



# UNIVERSAL A/C CONTROL SYSTEM PG MOTOR

## QD-U05PG+

- 5 Working Mode
- No Class Fan Speed, Low Noise
- Timer Inline/Offline
- Sleep
- Double Sensor
- Prevent Cold Wind in Heating Mode
- Auto Defrost
- Pipe Protection For Higher Temperature
- Examine Fault Itself
- Transformer Connection Upgrade Fast Plug Socket, More Convenience For Installation



QD-U05PG+

⚠ Please install by certificated technician.  
Please test the system before installation.  
Please avoid strong light before IR receiver.