

## Manual

Note: When the compressor is shut off, it needs 3 minutes to restart.

Mode selection key: Select working mode. When in auto mode, the system will work like heat mode if the room temperature is below 21°C, or work like cool mode if room temperature is up than 27°C.

Fan selection key: Select fan speed. The fan speed will be low when in dry mode, in auto fan mode, the fan speed will be high if the difference of setting and room temperature big than 4°C.

Temperature setting keys: Be able to set from 16°C-30°C. It will not response in auto mode or dry mode. will be low if the difference less than 2°C.

Timer selection key: Select timer offline, timer inline or no timer.

Timer time setting keys: Set 1-16 hours.

Sleep key: Select sleep on or off.

Sleep key: Will shut off in 8 hours.

Too cool/Too warm keys: Only effective in auto mode. Be able to adjust the setting temperature 1°C up/down from 25°C when depressing once the key.

ON/OFF key: Control on or off.

Display manual

1. Run light (red): Light is on when runs.

2. Time light (yellow): Once set timer inline/offline or sleep, this light is on. Cancel it or reach the time, this light is out.

3. Comp light (green): This light is on, When compressor works.

4. IR: Receive the signal of infrared.

5. AUTO: When there is not remote, it can control on or off.

Fault examination:

Fault	Indicator light
Room temperature sensor	Run (red) light flashes.
Indoor pipe temperature sensor	Time (yellow) light flashes

# UNIVERSAL A/C CONTROL SYSTEM

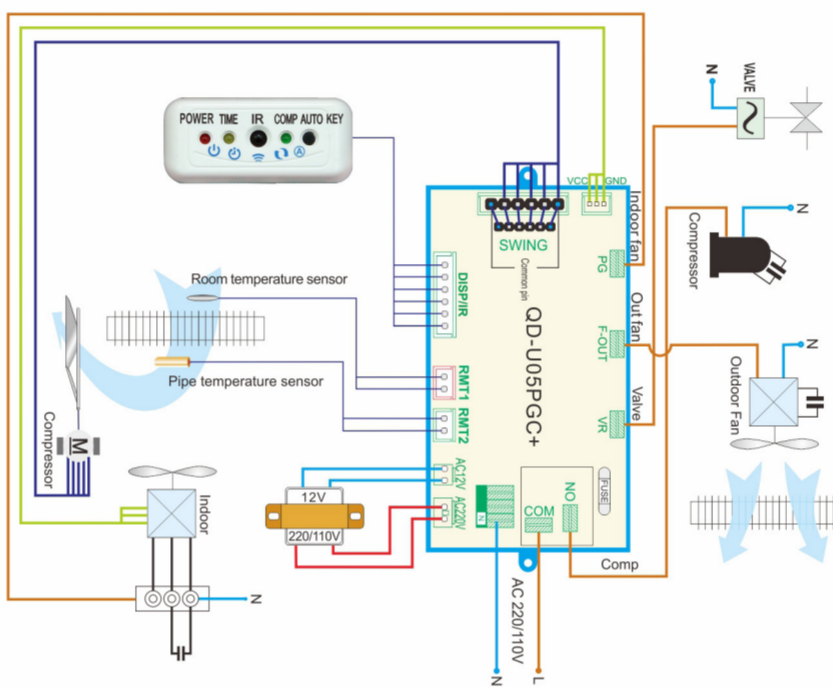
UNIVERSAL A/C  
CONTROL SYSTEM  
PG MOTOR

QD-U05PGC+

1. Avoid strong light before IR receiver.
  2. The common pins of swing socket are 12V output.
- The common pin of step motor should be inserted into one of the common pins of swing socket. If the direction of step motor is wrong, insert the common pin of step motor to other common pin of swing socket.

⚠ This product does not apply to the inverter A/C.

**PG motor feedback instruction**  
If this PG motor of Air-conditioner has not Hall effect, or Hall effect is broken, please let a short circuit between negative and signal pole.



QD-U05PGC+

QD-U05PGC+

UNIVERSAL A/C  
CONTROL SYSTEM  
PG MOTOR



MADE IN CHINA

UNIVERSAL A/C CONTROL SYSTEM

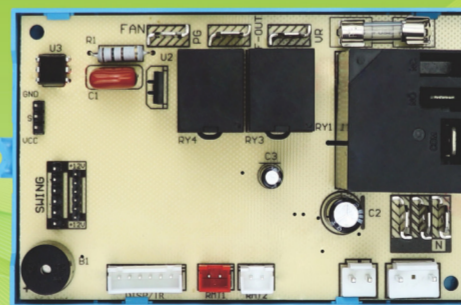
qunda  
Controller  
Expert

UNIVERSAL A/C CONTROL SYSTEM

QD-U05PGC+  
PG MOTOR

•High Quality •Full Function •Economic Model

- ◆ 5 Working Modes.
- ◆ Emergency on.
- ◆ Sleep function.
- ◆ Auto Defrost.
- ◆ Double Sensors.
- ◆ Examine Fault Itself.
- ◆ Prevent Cold Wind in Heating Mode.
- ◆ No Class Fan Speed, Low Noise.
- ◆ Accurate & Stable Temperature Control.
- ◆ Accurate & Stable Auto Fan
- ◆ Time-delayed Compressor Protection for 3mins.
- ◆ Timer Inline/Offline.
- ◆ **Auto Restart Function.**
- ◆ Outdoor Fan is Controlled Independently



QD-U05PGC+

⚠ Please install by certificated technician.  
Please test the system before installation.  
Please avoid strong light before IR receiver.