

Manual

Note:When the compressor is shut off, it needs 3 minutes to restart.

Mode selection key:Select working mode. When in auto mode, the system will work like heat mode if the room temperature is below 21°C, or work like cool mode if room temperature is up than 27°C.

Fan selection key:Select fan speed. The fan speed will be low when in dry mode, or in heat mode but the compressor is shut off, or in heat mode but the compressor working time less than 3 minutes. In auto fan mode, the fan speed will be high if the difference of setting and room temperature big than 4°C, will be low if the difference less than 2°C.

Temperature setting keys:Be able to set from 15°C-30°C. It will not response in auto mode or dry mode.

Timer selection key:Select timer offline, timer inline or no timer.

Timer time setting keys:Set 1-16 hours.

Swing key:Select swing on or off.

Sleep key:Will shut off in 8 hours.

Too cool/Too warm keys:Only effective in auto mode. Be able to adjust the setting temperature 1°C up/down from 25°C when depressing once the key.

ON/OFF key:Control on or off.

LED instruction:

L1:operation indication, when the sign come on, indoor fan should start blowing.

L2:Heating indication, when the sign come on, Air-conditioner should be in heating mode.

L3:Timer indication, when the sign come on, equipment should be in timer on or time off.

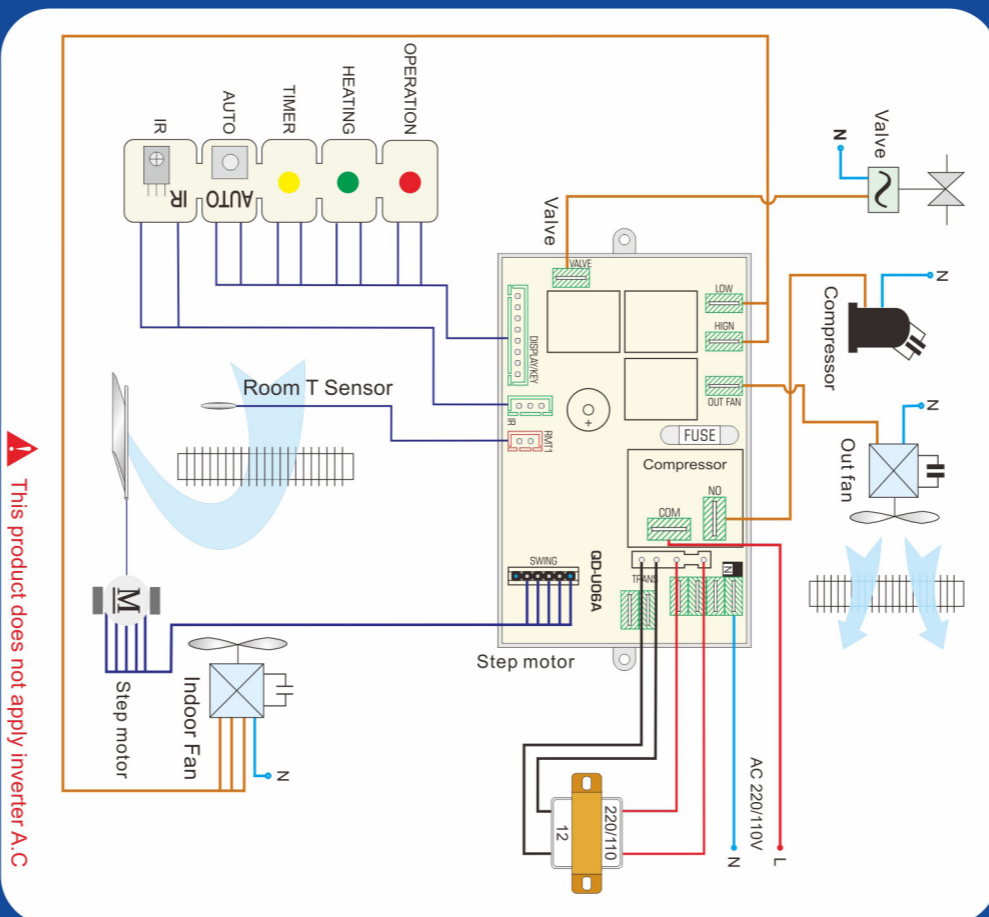
remind: in heating mode, within the first 30 seconds, vane will be lifted upward in order to avoid the cold wind blown people, then it will restore the original settings state.

UNIVERSAL A/C CONTROL SYSTEM

UNIVERSAL A/C CONTROL SYSTEM

MODEL QD-U06A

- Avoid strong light before IR receiver
- The common pins of swing socket are 12V output.
- The common pin of step motor should be inserted into one of the common pins of swing socket. If the direction of step motor is wrong, insert the common pin of step motor to other common pin of swing socket.



MODEL QD-U06A

UNIVERSAL A/C CONTROL SYSTEM

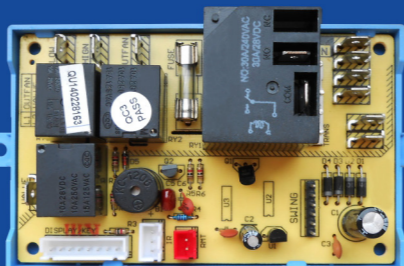


MADE IN CHINA

UNIVERSAL A/C CONTROL SYSTEM

UNIVERSAL A/C CONTROL SYSTEM

MODEL QD-U06A



- 5 Working mode
- 2 Fan Speed
- Accurate Temperature Control
- Accurate Auto Fan
- Sleep Function
- Periodical Defrost
- Prevent cold wind in heating mode
- Outdoor fan is controlled independently
- Led display for Run, Timer, Heating
- Easy plug socket design for transformer, do not need any tools
- Timer on/off



- High Quality
- Full Function
- Economic Model



Please install by certified technician.
Please test the system before installation.
Please avoid strong light before IR receiver.

