

Remote using instruction

Note: When compressor shut off, it needs 3 minutes to restart.

Mode selection: Select working mode. economic operation if room temperature lower than 21°C, into heating mode. if higher than 27°C, into cooling mode. Setting temperature is 24°C.

Fan speed selection: Select fan speed, it will be slow when in dry. in auto fan mode, the fan speed will be quick if the difference between setting temperature and room temperature higher than 4°C, and it will be slow if the difference less than 2°C.

Temperature setting: Be able to set from 16°C-30°C. It will not response in auto mode or dry mode.

Timer selection: Timing shutdown, timing start up and no timing. It can be between 1-16 hours.

Timer setting: Swing on or off.

Sleep: It will shutdown after 8 hours.

Too warm/Too cool: Effective in economic mode. Be able to adjust the setting temperature 1°C up or down after press 4.

ON/OFF: Control on or off.

Main board instruction

MODE DISPLAY

POWER ON: Temperature directories displays **RU**

AUTO MODE: Temperature directories display setting temperature and room temperature, when setting it displays setting temperature that by remote, and then displays room temperature.

COOL MODE: Cool indicator light on, temperature directories display setting temperature and room temperature, when setting it displays setting temperature that by remote, and then displays room temperature.

DRY MODE: Temperature directories displays **DR**

FAN MODE: Temperature directories displays **F**

HEAT MODE: Heat indicator light on, temperature directories display setting temperature and room temperature, when setting it displays setting temperature that by remote, and then displays room temperature. When defrosting, temperature directories displays **dF**, indicate that air-conditioner is in defrosting state.

SHUT DOWN: All indicators off.

Sleep: When in sleep mode, the luminance will be dark, make people have a good rest, setting temperature adjust automatically and shut down after 8 hours. Temperature directories displays **Q** and flashes, it means air-conditioner in timer-on.

TIMER ON: Temperature directories displays the current mode, it means air-conditioner in OFF-MODE.

TIMER OFF: Temperature directories displays the current mode, it means air-conditioner in OFF-MODE.

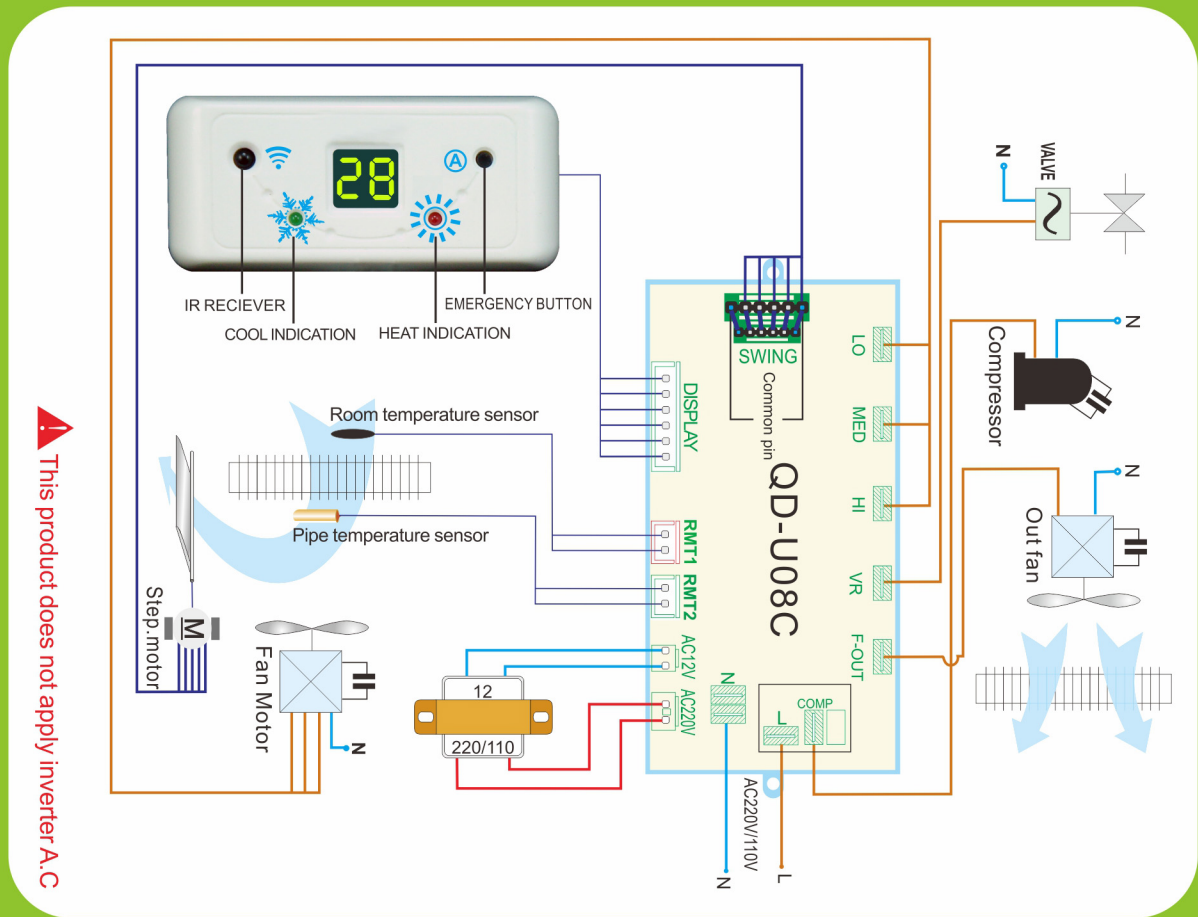
UNIVERSAL A/C CONTROL SYSTEM

NO. W-E-00126-V1

UNIVERSAL A/C CONTROL SYSTEM

QD-U08C

1. Avoid strong light before IR receiver.
2. The common pins of swing socket are 12V output. The common pin of step motor should be inserted into one of the common pins of swing socket. If the direction of step motor is wrong, insert the common pin of step motor to other common pin of swing socket.



QD-U08C

UNIVERSAL A/C CONTROL SYSTEM



MADE IN CHINA

UNIVERSAL A/C CONTROL SYSTEM

UNIVERSAL A/C CONTROL SYSTEM

QD-U08C

• High Quality • Full Function • Economic Model

- ▶ 5 Working Modes.
- ▶ 3 Fan Speed.
- ▶ Timer on/off
- ▶ Sleep Function
- ▶ Defrost Automatically
- ▶ Double Sensors
- ▶ Accurate & Stable Auto Fan
- ▶ Prevent Code Wind In Heating Mode
- ▶ Accurate & Stable Temperature Control
- ▶ Colorful Sensor Socket, Easy For Conneting
- ▶ Updated receiver, good looking appearance, show intuitional
- ▶ Updated transformer, quick plug, easy installation
- ▶ Auto restart function
- ▶ Outdoors fan controlled independently



QD-U08C

Please install by certificated technician.
Please test the system before installation.
Please avoid strong light before IR receiver.