

Remote using instruction

Note: When compressor shut off, it needs 3 minutes to restart.
When connect the PG motor's signal line, please note the plus and minus pole. Watch for the temperature of PCB 7805, if the temperature is too high, please shut off the power and check the connection is right or not.

Mode selection: Select working mode, economic operation, if room temperature lower than 21℃, into heating mode. If higher than 27℃, into cooling mode.

Fan speed selection: AUTO, HIGH, LOW, MIDDLE four modes, in dry mode, fan speed always be slow.

Temperature setting: Be able to set from 16℃-30℃. It will not response in auto mode or dry mode.

Timer setting: Timing shutdown, timing start up and no timing. It can be between 1-16 hours.

Swing: Swing on or off.

Sleep: It will shutdown after 8 hours.

Too warm/Too cool: Effective in economic mode. Be able to adjust the setting temperature 1℃ up or down after press it.

ON/OFF: Control on or off.

Main board instruction

1: MODE DISPLAY
POWER ON: Temperature directories displays **P**
COOL MODE: Cool indicator light on temperature directories display setting temperature and room temperature, when setting it displays setting temperature that by remote, and then displays room temperature.
DRY MODE: Temperature directories displays **d**
FAN MODE: Temperature directories displays **F**
HEAT MODE: Heat indicator light on, temperature directories display setting temperature and room temperature when setting it displays setting temperature that by remote, and then displays room temperature. When defrosting, Temperature directories displays **dF**, indicate that air-conditioner is in defrosting state.

SHUT DOWN: All indicators off.

Sleep: When in sleep mode, the luminance will be dark, make people have a good rest, setting temperature adjust automatically and shut down after 8 hours.
TIMER ON: Temperature directories displays **DT** and flashes, it means air-conditioner in timer-on.
TIMER OFF: Temperature directories displays the current mode, it means air-conditioner in OFF-MODE.

2: REMARKS
IR RECEIVER: To receive the instruction from the remote.
Emergency button: Without remote, press this button can start air-conditioner. Press it, it will in cool mode setting temperature will be 26℃, fan speed and direction automatically. Press again, it will in heat mode, setting temperature is 20℃, fan speed and direction automatically, press again, off the air-conditioner, circulating operation.

3: Compressor instruction
In heat or cool mode when indicator light of heat and cool flash, it means air-conditioner get to the setting temperature, or compressor in 3 minutes protection state, compressor shut down now, when the indicator light on, it means compressor start.

Failure indication
When the room temperature sensor has a fault, temperature directories displays **E1**, please check whether the sensor connected or not.
When the pipe temperature sensor has a fault, temperature directories displays **E2**, please check whether the sensor connected or not.
When PG motor select the feedback mode, there is feedback failure, temperature directories displays **E3**, please check the PG motor feedback instruction on the back of package.



QD-U08PGC+

- Auto restart function
- Outdoor fan controlled independently
- Plug-in start capacitor enclosed
- 5 working modes
- Unlimited fan speed, low noise
- Double sockets for stepping motor, which is more convenient for installation.
- Accurate & stable temperature control
- Accurate & stable auto fan

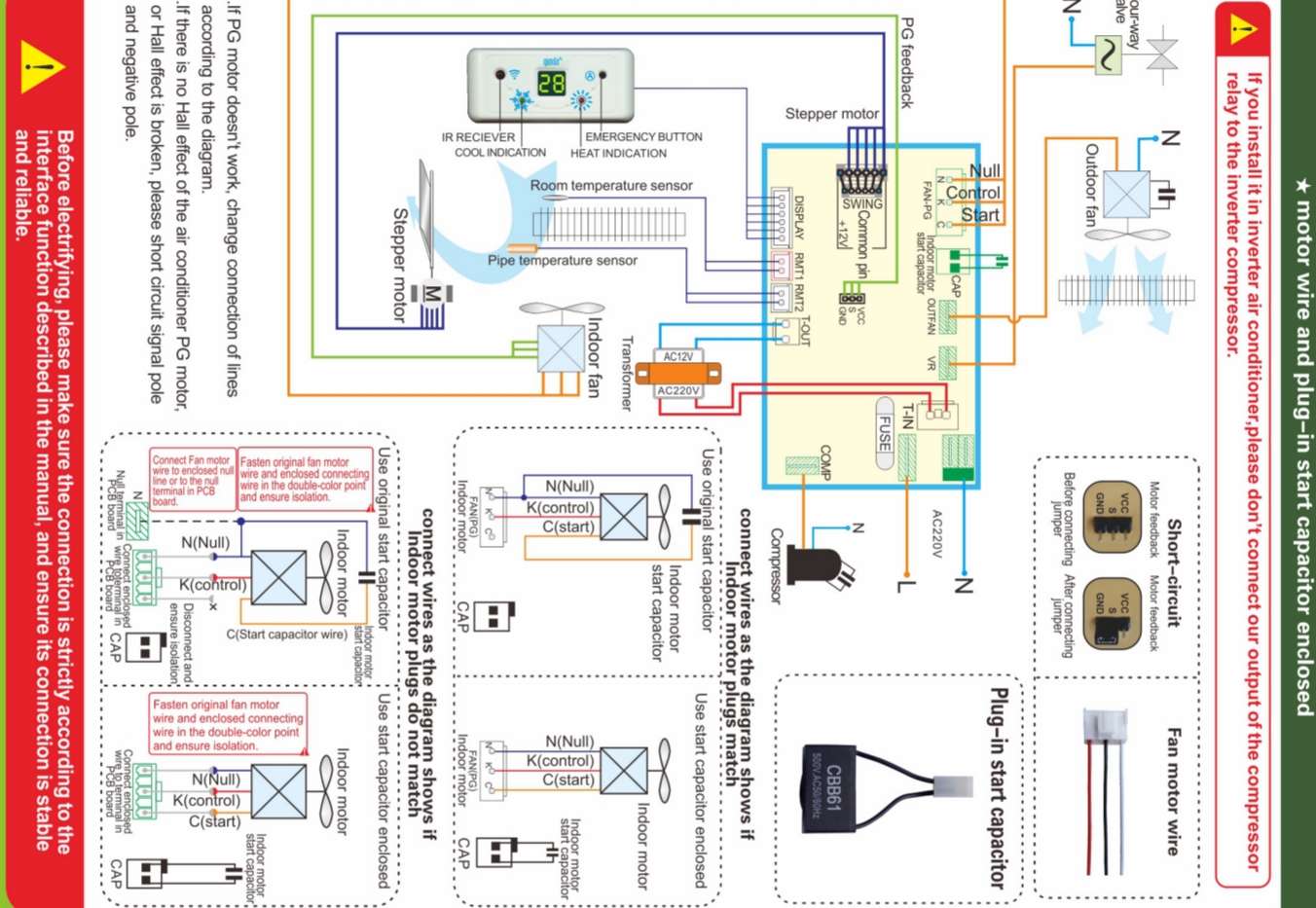
- Timer on/off
- Sleep function
- Prevent code wind in heating mode
- Pipe protection for higher temperature
- Examine fault by itself
- Updated transformer, quick plug, easy installation
- Quick plug for fan motor
- Defrost automatically

NO.W-E-00087

UNIVERSAL A/C CONTROL SYSTEM PG MOTOR

QD-U08PGC+

- Avoid strong light before IR receiver.
- The common pins of swing socket are 12V output. If the direction of step motor is wrong, insert the common pin of step motor to other common pin of swing socket.



MADE IN CHINA



Auto restart function

UNIVERSAL A/C CONTROL SYSTEM PG MOTOR QD-U08PGC+

- Auto restart function
- Outdoor fan controlled independently
- Plug-in start capacitor enclosed



⚠️ Please install by certificated technician.
Please test the system before installation.
Please avoid strong light before IR receiver