

VOICE COMMANDS OF QD68AI

Function	Voice commands
wake up A/C	hello air
power	turn on, turn off
mode	auto mode, cool mode, heat mode, dry mode, fan mode
fan	auto fan speed, low fan speed, medium fan speed, high fan speed
set temperature	sixteen centigrade to thirty centigrade, temperature up, temperature down
swing	swing up, swing down
sleep	sleep on, sleep off

- * Please say "hello air" to wake up the A/C, then you can give the voice commands to A/C.
- * When issuing the voice commands, please try to keep your surroundings quiet.
- * More voice commands, please refer to the manual of QD68AI.

QD68AI



- Off-line voice control
- Quick voice answer
- Wifi router connection
- Smart life APP to remote control
- Strong switch power, AC100-240V 50/60HZ
- Universal for both PG and TAP motor
- Outdoor fan is controlled independently

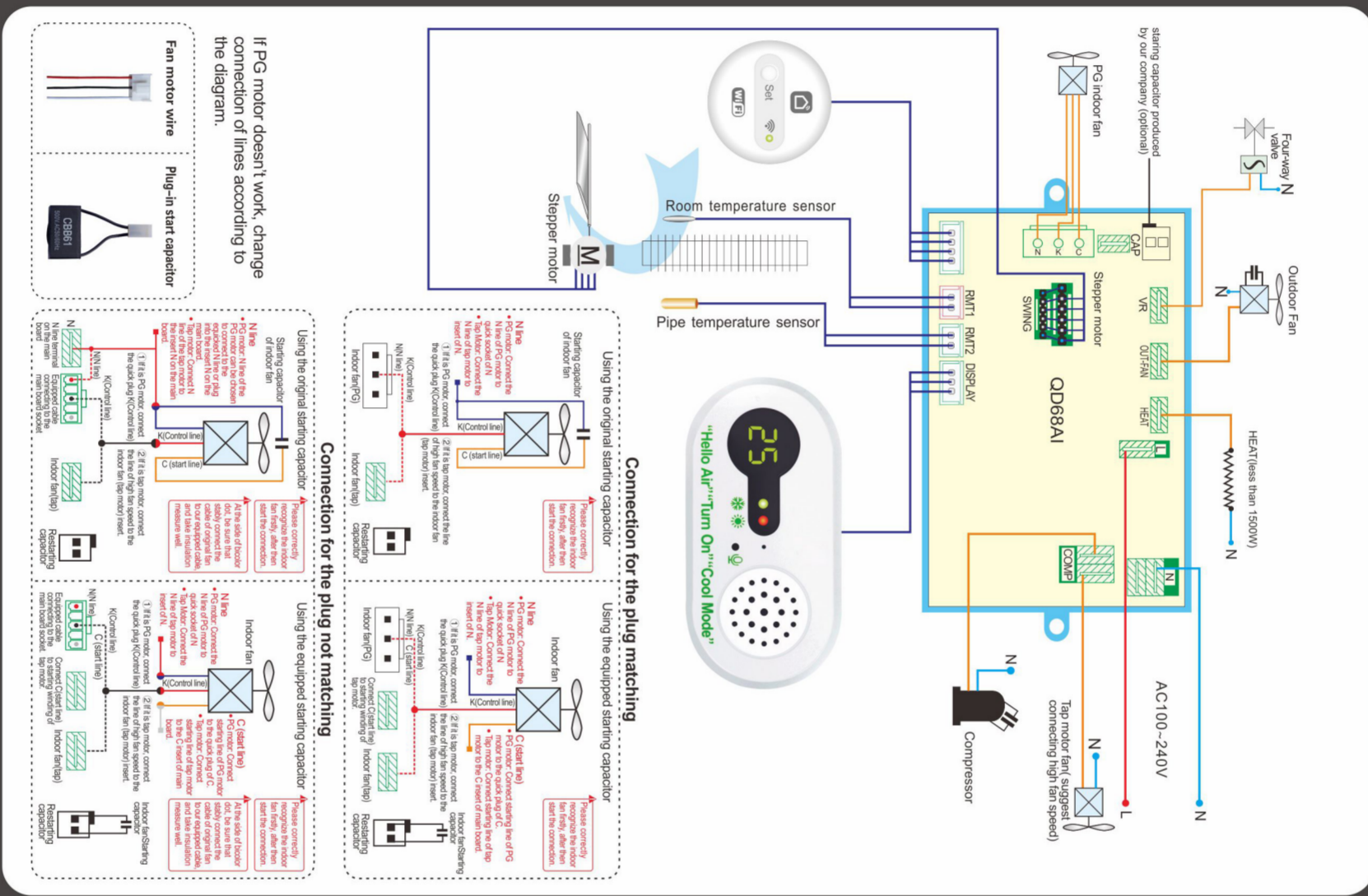
- Prevent cold wind on heating mode
- Pipe over temperature protection
- Failure diagnosis
- Timer on/off, sleep function
- Optional starting capacitor
- Quick PG plug
- Optional memory function

NO.W-E-00128



QD68AI

1. If the air conditioner is inverted, please don't directly connect the compressor to the relay on our PCB.
2. Please hire the professional technician to install the unit. Before the installation, be sure to have a power-on test. Any damage result from wrong installation is out of warranty.
3. There can't be strong light in front of the IR receiver.
4. The fan motor wires and the fan motor capacitor wires are common terminals (T2V). Swing motor common terminal must be plugged into the one of fan motor output. If the motor rotates in the opposite direction, then plug swing motor common terminal into the other side of step motor output.



QD68AI

AI&WIFI UNIVERSAL A/C CONTROL SYSTEM



QD68AI

